

BOTTOM VIEW

TOUCH SCREEN DISPLAY FOR TASTING
 MAIN DISPLAY
 CARD SLOT

INLET AIR COOLING COMPRESSOR

N°3+1 GRIDS FOR AIR OUTFLOW DIMENSIONS

LAN CONNECTOR

AIR OUTFLOW

HOT AIR FLOW

COLD AIR FLOW

RIGHT SIDE

FRONT ELEVATION

LEFT SIDE

BACK ELEVATION

CONNECTION PIPE \varnothing 4mm
 FOR PISTONS GAS:
 NITROGEN OR ARGON OR AIR
 (N2 OR Ar OR AIR) MPa 0.4 (4Bar)

CONNECTION PIPE \varnothing 4mm
 FOR TAPS GAS:
 NITROGEN OR ARGON
 (N2 OR Ar) MPa 0.4 (4Bar)

POWER CONNECTION

DETAIL D
 SCALE 1 : 2

DETAIL E
 SCALE 1 : 3



TITLE: ELITE 2.5 ENOLINE 4 + 4 REF.

NOTE
 -DIMENSION mm
 -DIMENSION [inches]

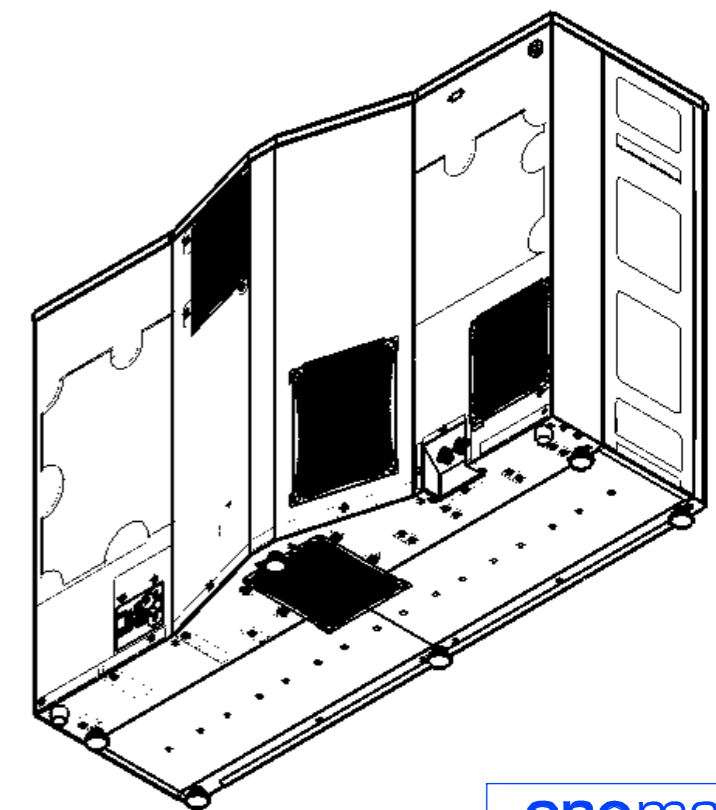
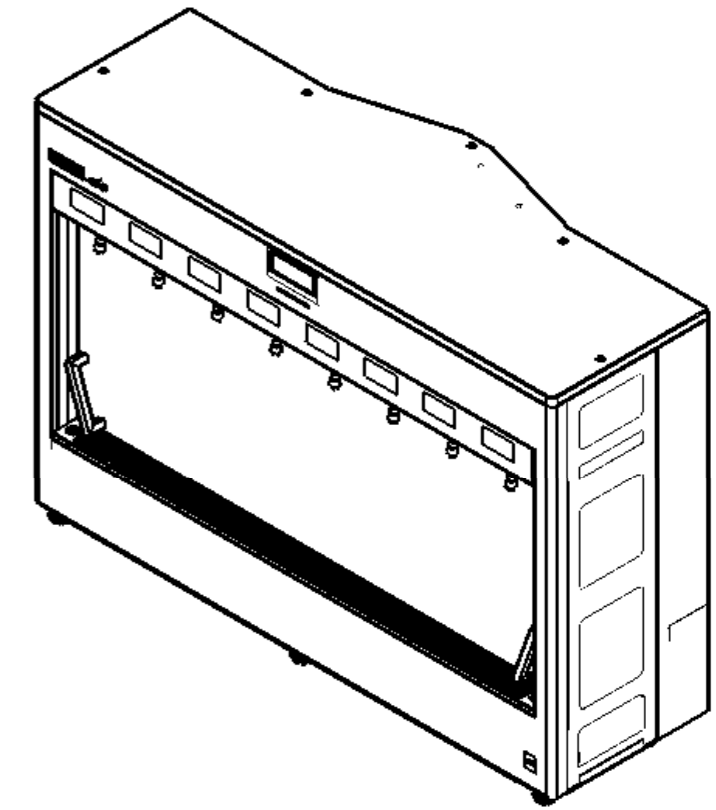
PROPRIETARY AND CONFIDENTIAL
 THE INFORMATION CONTAINED IN THIS DRAWING IS THE SOLE PROPERTY OF ENOMATIC. ANY REPRODUCTION IN PART OR AS A WHOLE WITHOUT THE WRITTEN PERMISSION OF ENOMATIC IS PROHIBITED.

REV.	DESCRIPTION	DATE	EXECUTOR	CHK'D	APPV'D
03	ADD.PAG.6	09/10/2014	M.BAGNOLI		
02	GENERAL REVISION	28/04/2014	PANICHI		
01	EMISSIONE-ISSUE	19/09/2013	M.BAGNOLI		

DWG NO.	EC285-YM000	A3
SCALE:1:10	LANGUAGE: ITALIANO	FINISH: THICKNESS:
QUOTE SENZA INDICAZIONI DI TOLLERANZA SECONDO UNI EN 22768 - mH DIMENSIONS WITHOUT TOLERANCE FIGURES, ACCORDING TO UNI EN 22768 - mH STANDARD		
SHEET 1 OF 6		

ENOLINE 8 BOTTLES ELITE 2.5

A SIZE	HEIGHT (MIN -MAX)	670-675mm [26.39-26.59]				
	DEPTH	354mm [13.93]				
	WIDTH	971mm [38.23]				
WEIGHT (Kg)	72 Kg					
FINISH MATERIALS	STAINLESS STEEL 304 - PAINTED STEEL					
B	AVAILABLE MODEL					
C ELETRICAL FEATURES	VOLTAGE (V)	100	115	110-127	200-220	220-240
	FREQUENCY (Hz)	50-60	60	60	50-60	50
	POWER (W)	135	135	135	220	220
	FUSES	2X8Amp@110V	2X8Amp@110V	2X8Amp@110V	2X8Amp@250V	2X8Amp@250V
C REFRIGERATION COMPRESSOR SPECIFICATION	REFRIGERATION GAS	R-134A				
	TEMPERATURE CONTROL	ELECTRONIC CONTROLLER				
	DEFROST METHOD	AUTOMATIC VIA ELECTRONIC CONTROLLER				
	METHOD OF DISPLAYNG TEMPERATURE	DIGITAL				
D PRESSION GAS FOR TAPS (ARGON OR NITROGEN)	MPa 0.4 (4 Bar)					
D PRESSION GAS FOR PISTONS (ARGON OR NITROGEN OR AIR)	MPa 0.4 (4 Bar)					
E ACCEPTER BOTTLES	HEIGHT	280÷360mm [11.024÷14.173]				
	Ø MAX	102mm [4.016]				



NOTE

-DIMENSION mm
-DIMENSION [inches]

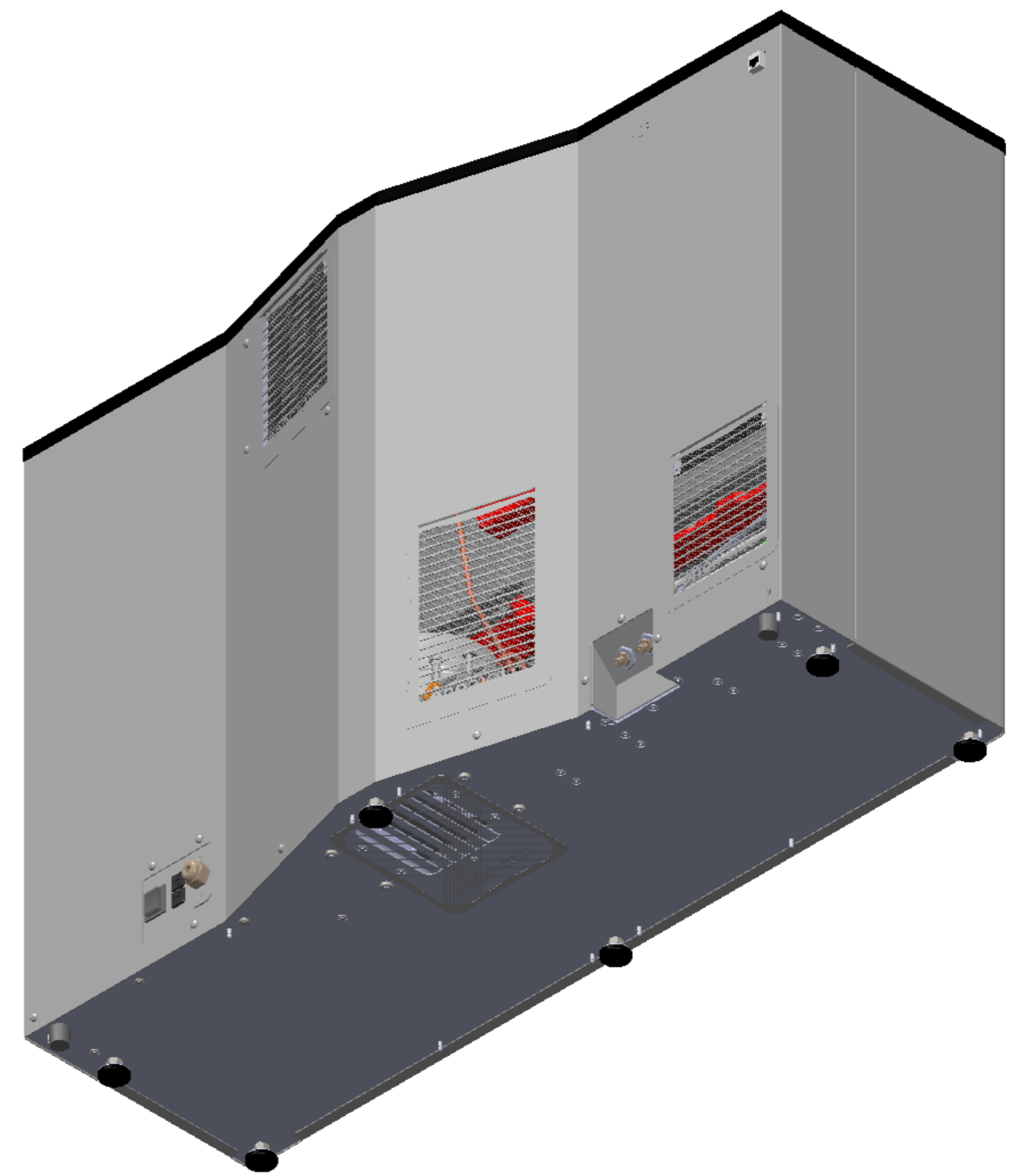
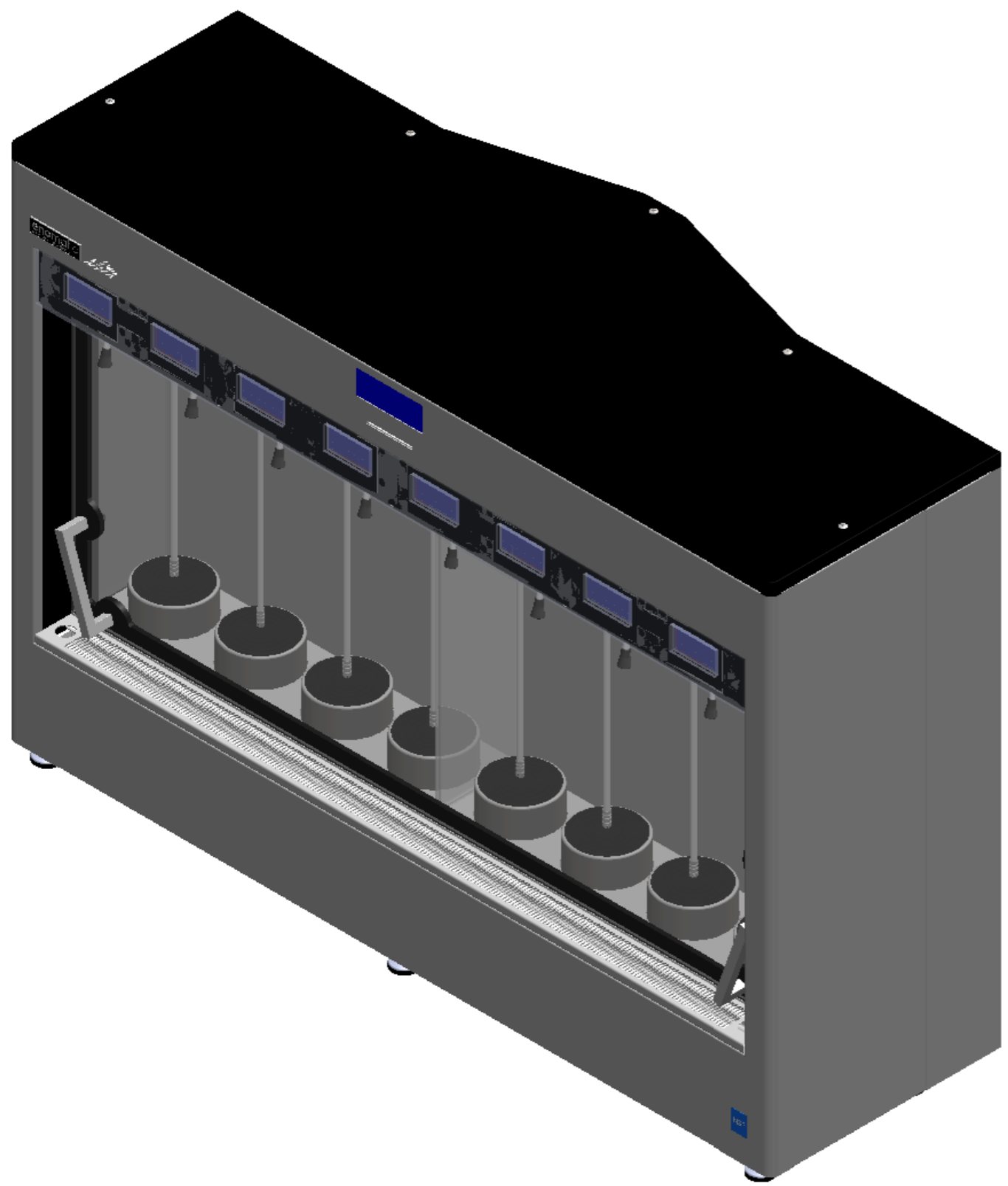
PROPRIETARY AND CONFIDENTIAL
THE INFORMATION CONTAINED IN THIS DRAWING IS THE SOLE PROPERTY OF ENOMATIC. ANY REPRODUCTION IN PART OR AS A WHOLE WITHOUT THE WRITTEN PERMISSION OF ENOMATIC IS PROHIBITED.

CODE:	MATERIAL:	MATERIAL CODE:	WEIGHT Kg:

TITLE:	ELITE 2.5 ENOLINE 4 + 4 REF.		
DWG NO.	EC285-YM000	A3	
QUOTE SENZA INDICAZIONI DI TOLLERANZA SECONDO UNI EN 22768 - mH DIMENSIONS WITHOUT TOLERANCE FIGURES, ACCORDING TO UNI EN 22768 - mH STANDARD			
SCALE:1:10	LANGUAGE: ITALIANO	FINISH:	THICKNESS:

1 2 3 4 5 6 7 8

A
B
C
D
E
F



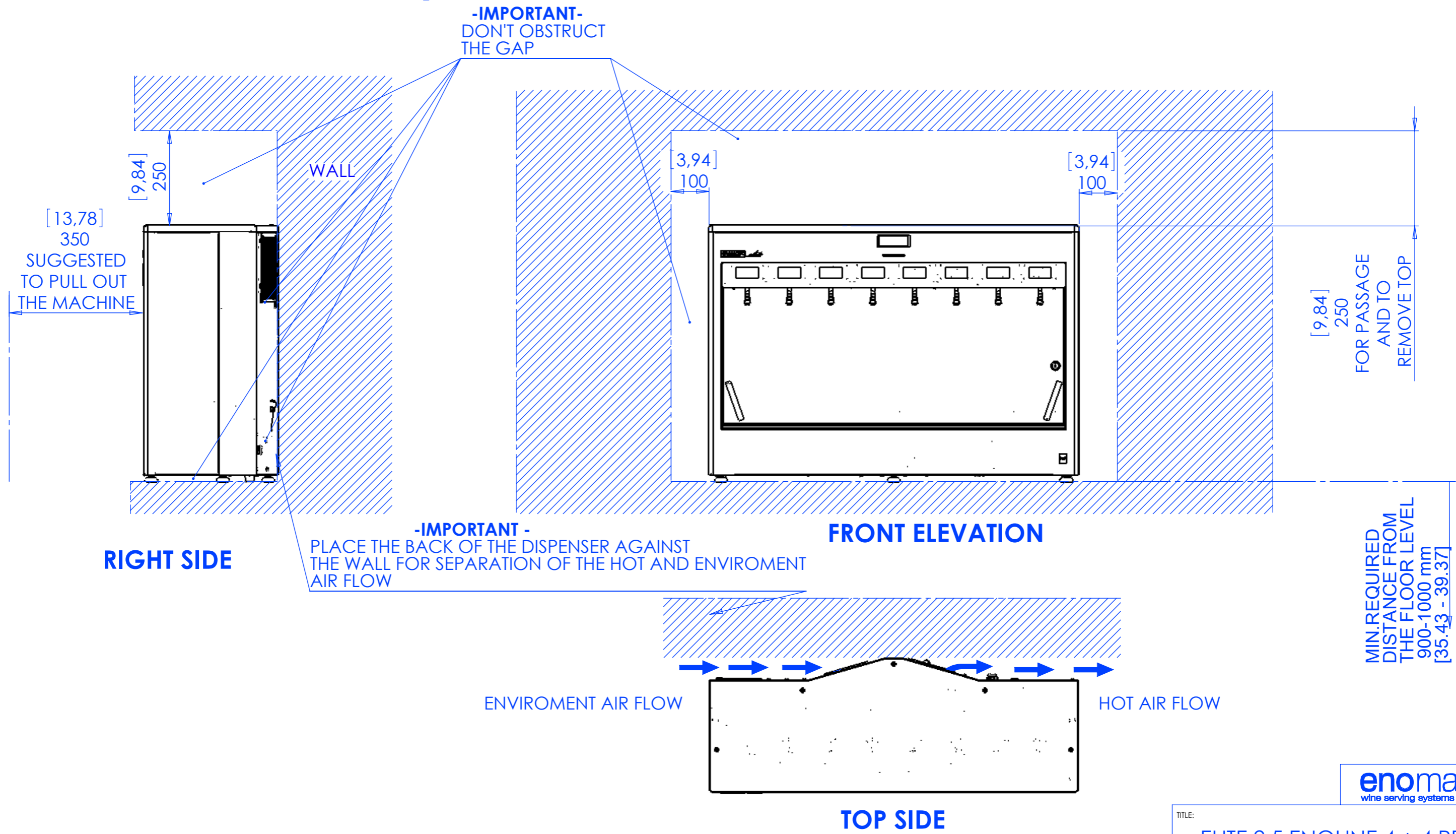
TITLE:		ELITE 2.5 ENOLINE 4 + 4 REF.	
DWG NO.	EC285-YM000	A3	
<small>QUOTE SENZA INDICAZIONI DI TOLLERANZA SECONDO UNI EN 22768 - mH DIMENSIONS WITHOUT TOLERANCE FIGURES, ACCORDING TO UNI EN 22768 - mH STANDARD</small>			
SCALE:1:5	LANGUAGE: ITALIANO	FINISH:	THICKNESS:
		SHEET 3 OF 6	

PROPRIETARY AND CONFIDENTIAL
 THE INFORMATION CONTAINED IN THIS DRAWING IS THE SOLE PROPERTY OF ENOMATIC. ANY REPRODUCTION IN PART OR AS A WHOLE WITHOUT THE WRITTEN PERMISSION OF ENOMATIC IS PROHIBITED.

CODE:	MATERIAL:	MATERIAL CODE:	WEIGHT Kg:

1 2 3 4

1 -INSTALLATION EXAMPLE- POSITIONING IN FORESEEN BOX (DIMENSION IN mm [inches] ,REFER TO MINIMAL REQUIRED CLEARANCE FOR PROPER PERFORMANCES)

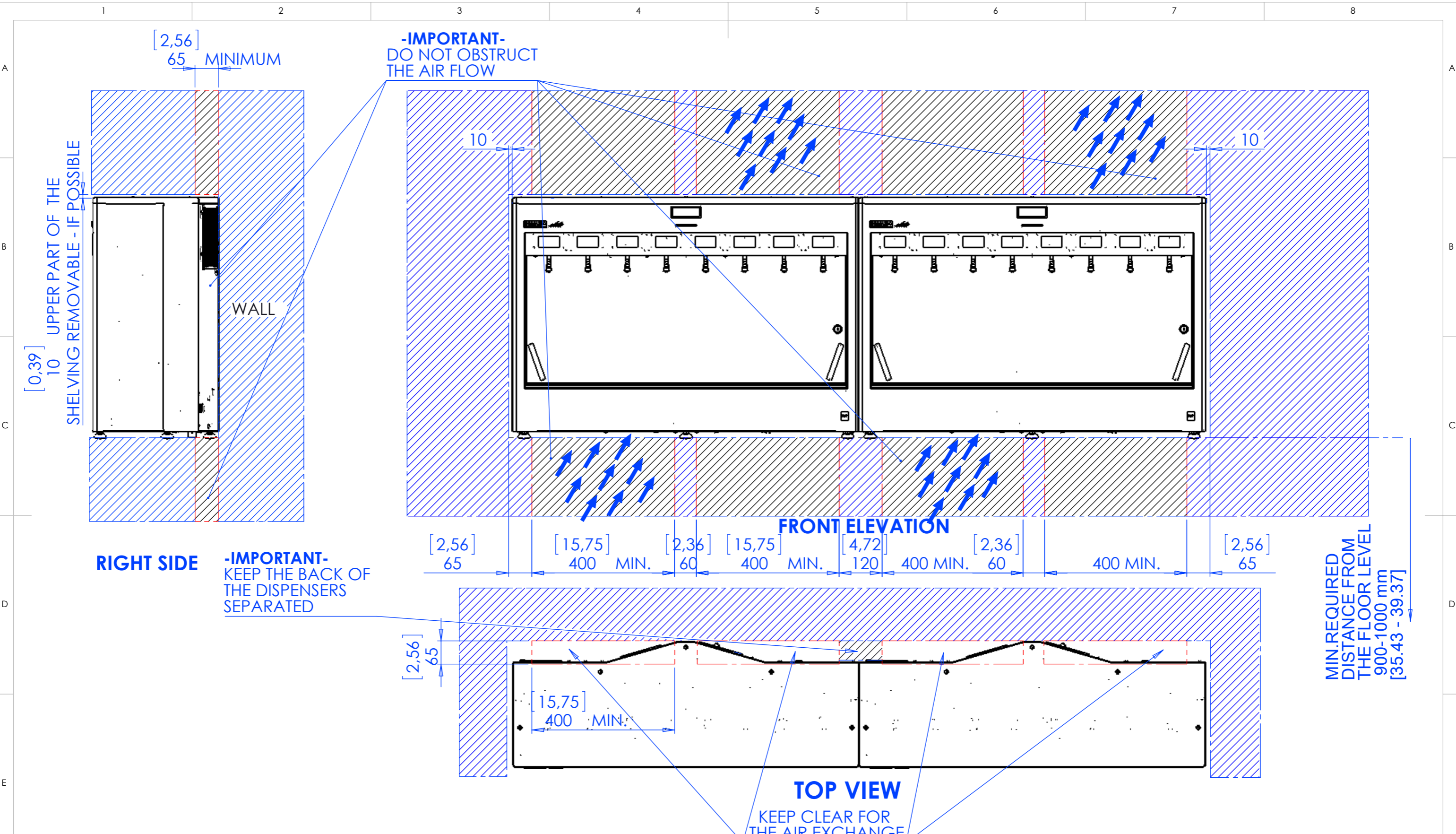


NOTE
-DIMENSION mm
-DIMENSION [inches]

PROPRIETARY AND CONFIDENTIAL
THE INFORMATION CONTAINED IN THIS DRAWING IS THE SOLE PROPERTY OF ENOMATIC. ANY REPRODUCTION IN PART OR AS A WHOLE WITHOUT THE WRITTEN PERMISSION OF ENOMATIC IS PROHIBITED.

CODE:	MATERIAL:	MATERIAL CODE:	WEIGHT Kg:

TITLE: ELITE 2.5 ENOLINE 4 + 4 REF.	
DWG NO.	EC285-YM000
QUOTE SENZA INDICAZIONI DI TOLLERANZA SECONDO UNI EN 22768 - mH DIMENSIONS WITHOUT TOLERANCE FIGURES, ACCORDING TO UNI EN 22768 - mH STANDARD	
SCALE:1:10	LANGUAGE: ITALIANO
FINISH:	THICKNESS:
A3	SHEET 4 OF 6



2 - INSTALLATION EXAMPLE- BUILT - IN POSITIONING (DIMENSION IN mm [inches], REFER TO MINIMAL REQUIRED CLEARANCE FOR PROPER PERFORMANCES)

NOTE

-DIMENSION mm
 -DIMENSION [inches]

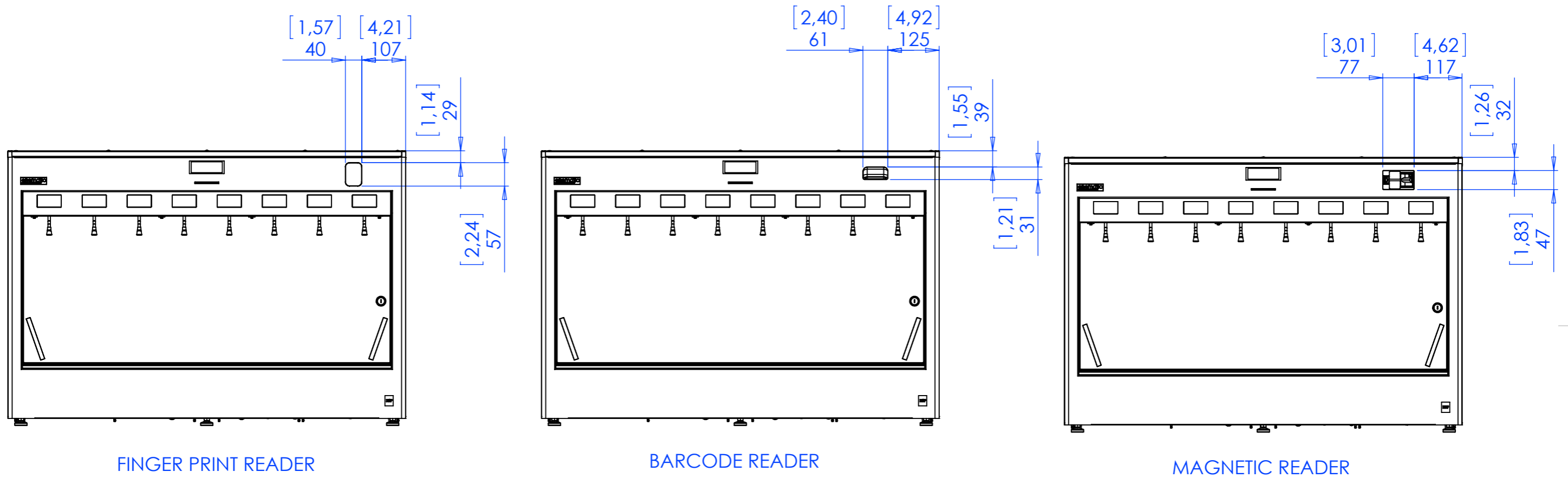
PROPRIETARY AND CONFIDENTIAL
 THE INFORMATION CONTAINED IN THIS DRAWING IS THE SOLE PROPERTY OF ENOMATIC. ANY REPRODUCTION IN PART OR AS A WHOLE WITHOUT THE WRITTEN PERMISSION OF ENOMATIC IS PROHIBITED.

CODE:	MATERIAL:	MATERIAL CODE:	WEIGHT Kg:

enomatic®
 wine serving systems

TITLE:	ELITE 2.5 ENOLINE 4 + 4 REF.		
DWG NO.	EC285-YM000	A3	
<small>QUOTE SENZA INDICAZIONI DI TOLLERANZA SECONDO UNI EN 22768 - mH DIMENSIONS WITHOUT TOLERANCE FIGURES, ACCORDING TO UNI EN 22768 - mH STANDARD</small>			
SCALE:1:10	LANGUAGE: ITALIANO	FINISH:	THICKNESS:

ENOLINE ELITE 2.5 8 BOTT. OTHER CONFIGURATIONS AVAILABLE



NOTE

-DIMENSION mm
-DIMENSION [inches]

PROPRIETARY AND CONFIDENTIAL
THE INFORMATION CONTAINED IN THIS DRAWING IS THE SOLE PROPERTY OF ENOMATIC. ANY REPRODUCTION IN PART OR AS A WHOLE WITHOUT THE WRITTEN PERMISSION OF ENOMATIC IS PROHIBITED.

CODE:	MATERIAL:	MATERIAL CODE:	WEIGHT Kg:



TITLE: ELITE 2.5 ENOLINE 4 + 4 REF.	
DWG NO. EC285-YM000	A3
<small>QUOTE SENZA INDICAZIONI DI TOLLERANZA SECONDO UNI EN 22768 - mH DIMENSIONS WITHOUT TOLERANCE FIGURES, ACCORDING TO UNI EN 22768 - mH. STANDARD</small>	
SCALE:1:10 LANGUAGE: ITALIANO FINISH: THICKNESS:	SHEET 6 OF 6